



LOVEJOY Tool Company, Inc.

Since 1917

Manufacturer of Milling Products

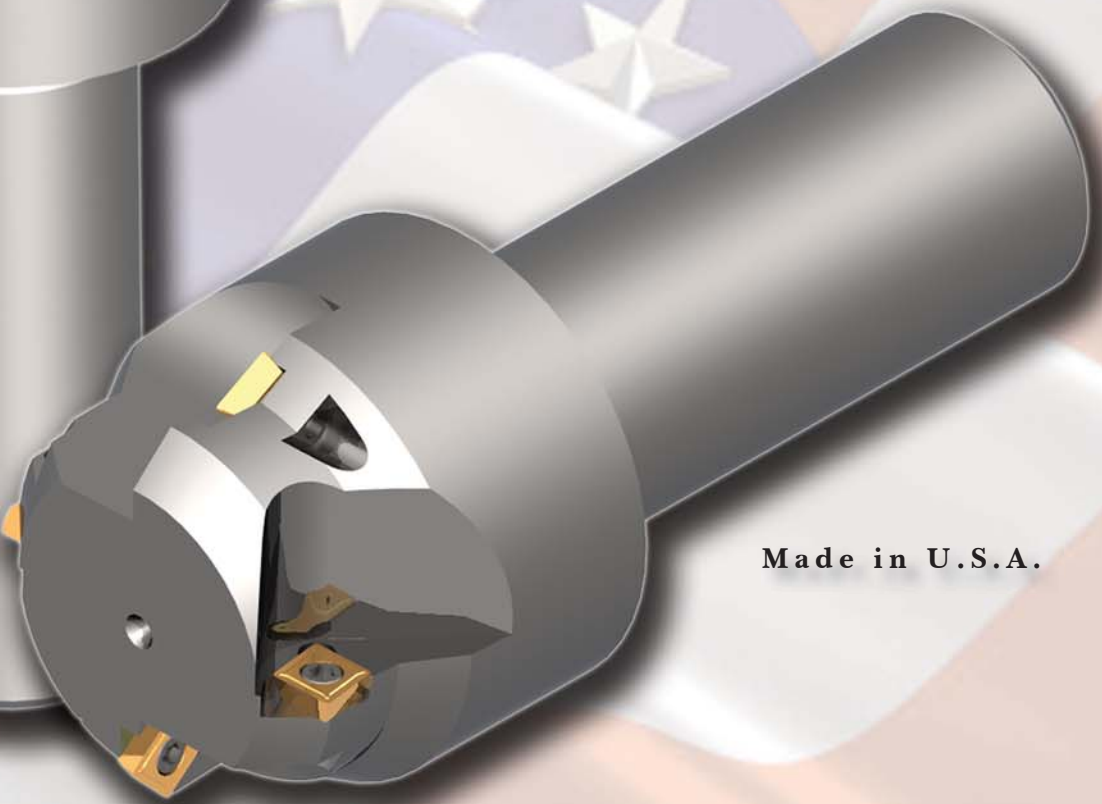


Porting Tools

Built to Order

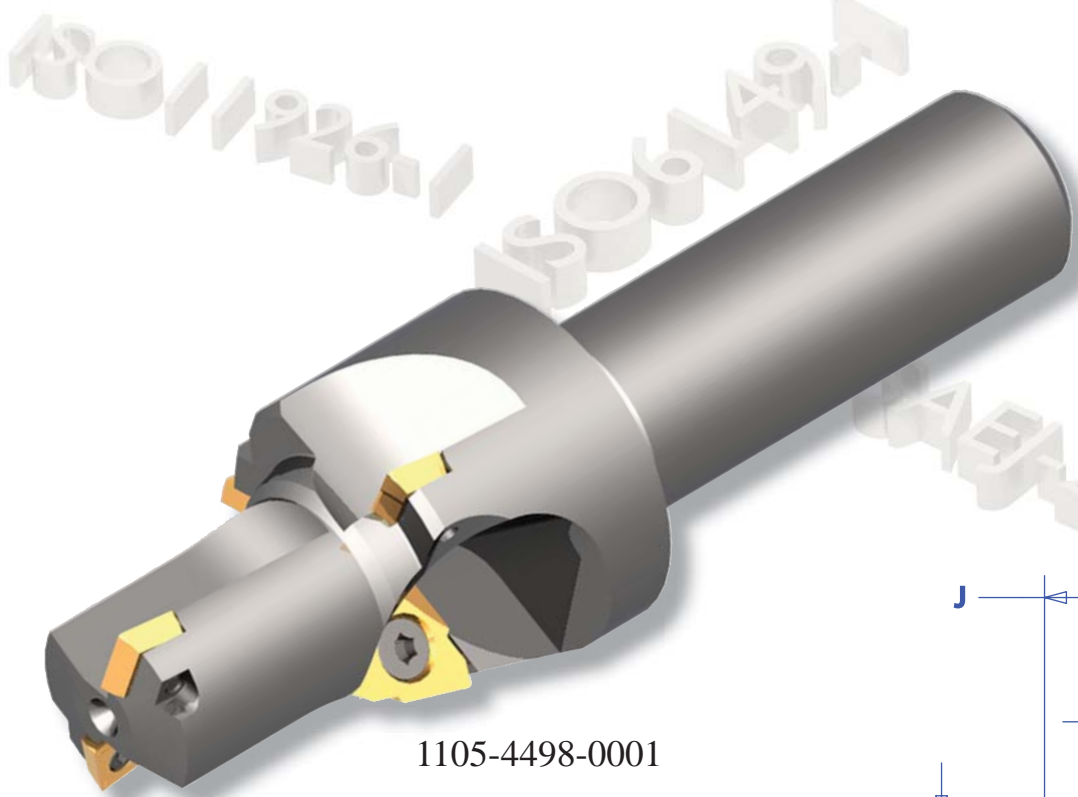
- SAE Standards
- ISO Standards

Tooling for Industry



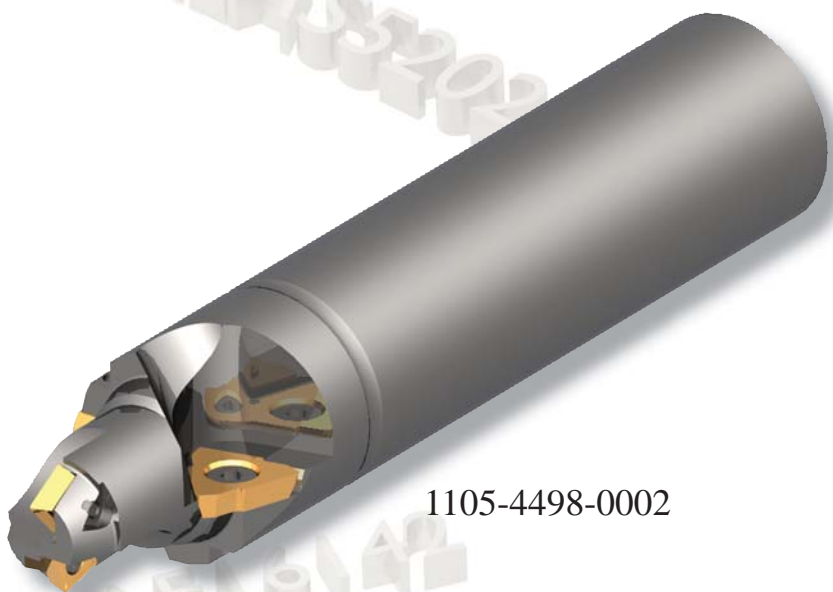
Made in U.S.A.

1-800-TheVermontMillPeople



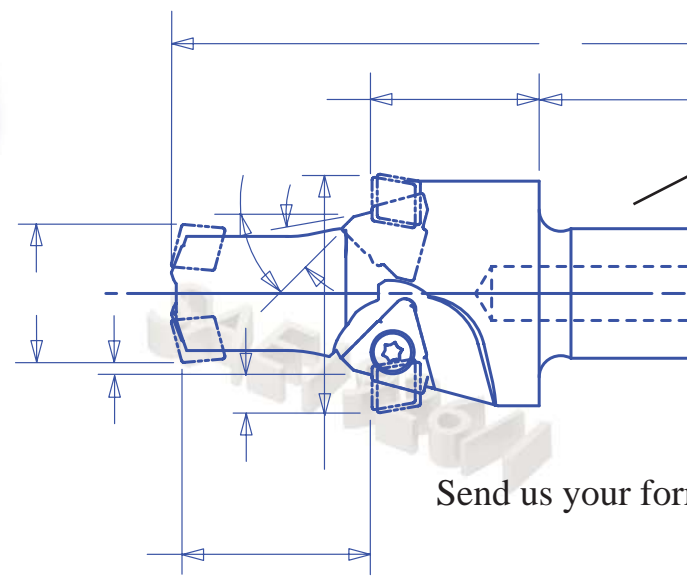
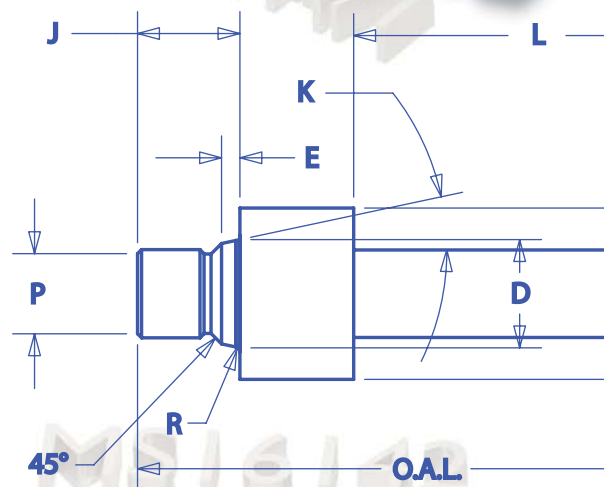
1105-4498-0001

SAE J514



1105-4498-0002

SAE J514



Send us your form



1105-4498-0003



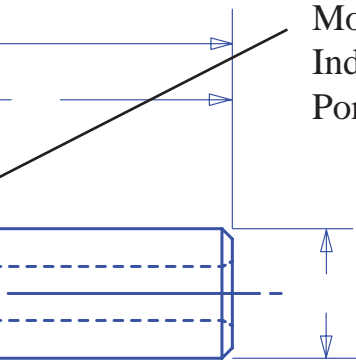
1105-4498-0004



Replace Expensive
Grind Style
Porting Tools

with

More Cost Effective
Indexable Insert Style
Porting Tools



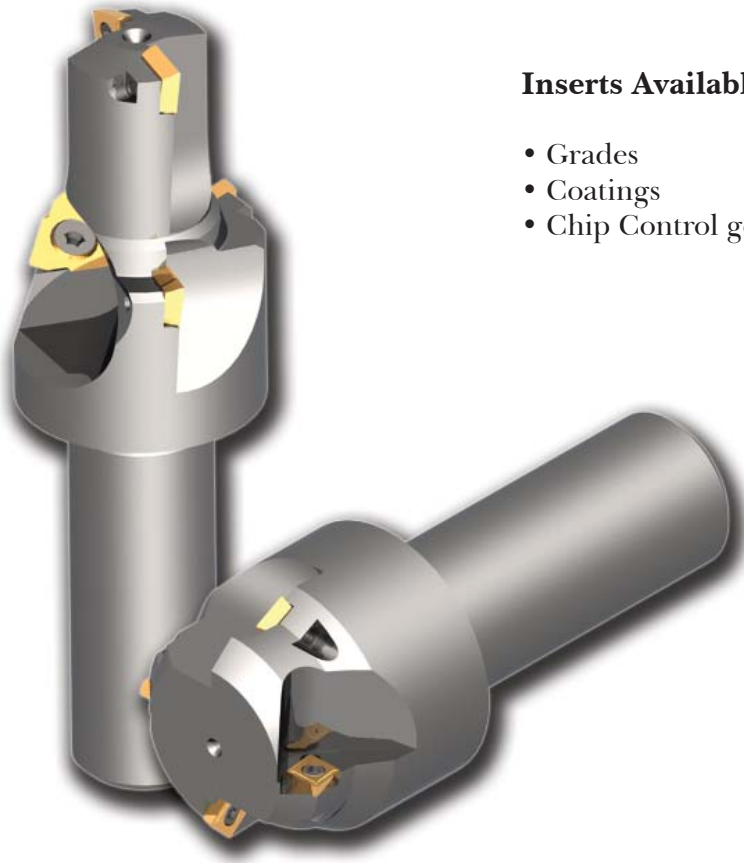
m dimensions



1105-4498-0005

Porting Tools . . .

- Combines multiple operations in one tool
- Design and manufacture most porting configurations
- Rakes and edge prep to meet application and material needs



Inserts Available in different . . .

- Grades
- Coatings
- Chip Control geometries

Industry Applications . . .

- Hydraulic manifolds & cylinders
- Air Conditioning
- Power steering units
- Hydraulic motors / pumps
- Hydrostatic transmissions

Our commitment to customers . . .

LOVEJOY Tool takes great pride in solving our customers machining needs, therefore, LOVEJOY Tool delivers innovative and cost-effective solutions in a timely manner, to ensure customer satisfaction. That's why so much of LOVEJOY's business is with repeat customers or others referred by current customers.

LOVEJOY Tool Company Products are sold direct and through distributors in North America and throughout the world. Domestic and international sales with application support are handled from our Springfield, VT headquarters.

133 Main Street, Springfield, Vermont 05156

Phone (802) 885-2194 • Fax (802) 885-9511